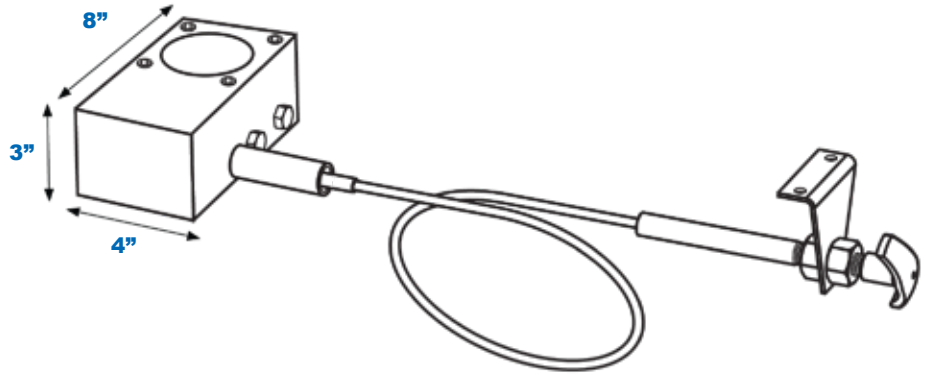
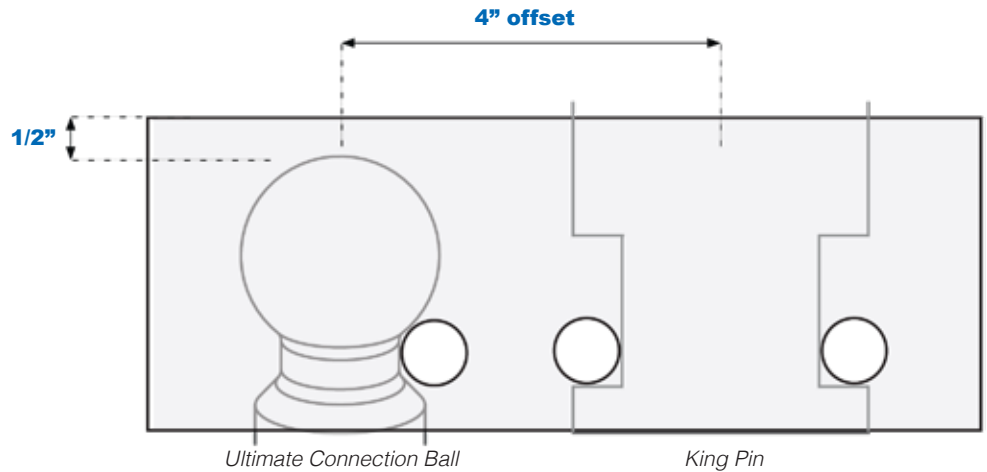


# DIMENSIONS – Kingpin Coupler Block & Ultimate Connection Bases

## King Pin Coupler Block (#3246) Block Dimensions



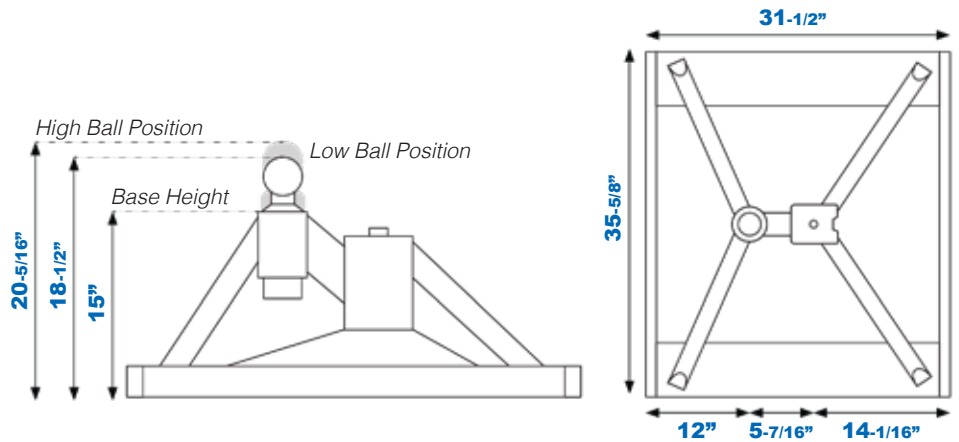
## King Pin Coupler Block Side View



## Raised Ultimate Connection (#3217)

### Ball Height & Base Dimensions

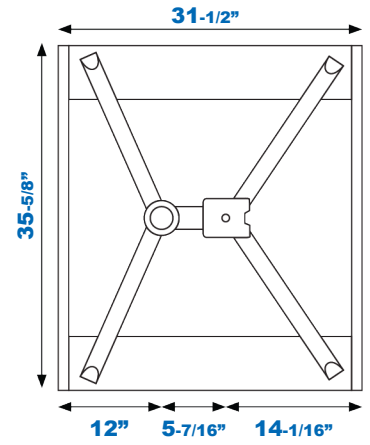
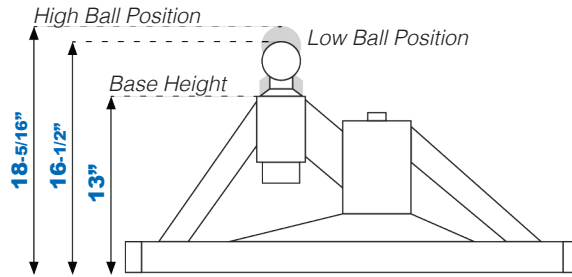
- Base Height: 15"
- Low Ball Position: 18-1/2"
- High Ball Position: 20-5/16"



**Standard Ultimate Connection  
(#3220)**

**Ball Height & Base Dimensions**

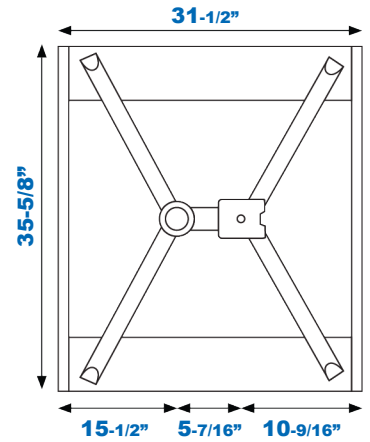
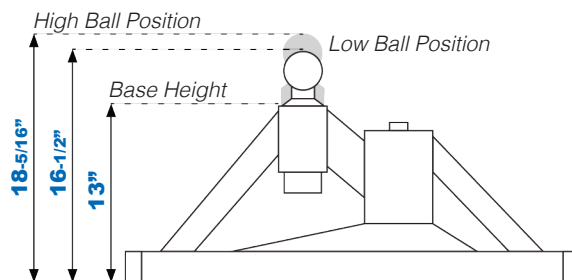
- Base Height: 13"
- Low Ball Position: 16-1/2"
- High Ball Position: 18-5/16"



**Standard Ultimate Connection  
Tool Box Version (#3220TBX)**

**Ball Height & Base Dimensions**

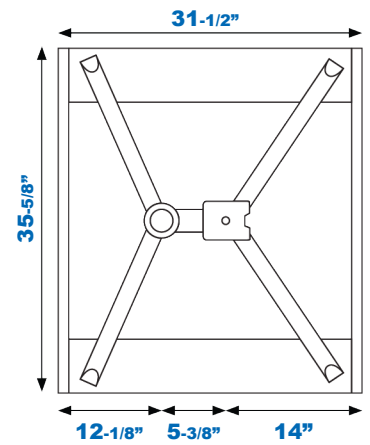
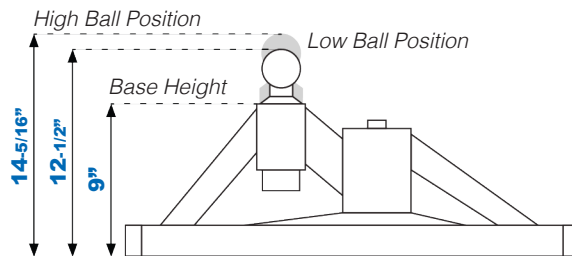
- Base Height: 13"
- Low Ball Position: 16-1/2"
- High Ball Position: 18-5/16"



**Lowered Ultimate Connection  
(#3221)**

**Ball Height & Base Dimensions**

- Base Height: 9"
- Low Ball Position: 12-1/2"
- High Ball Position: 14-5/16"



**Lowered Ultimate Connection  
Tool Box Version (#3221TBX)**

**Ball Height & Base Dimensions**

- Base Height: 9"
- Low Ball Position: 12-1/2"
- High Ball Position: 14-5/16"

